

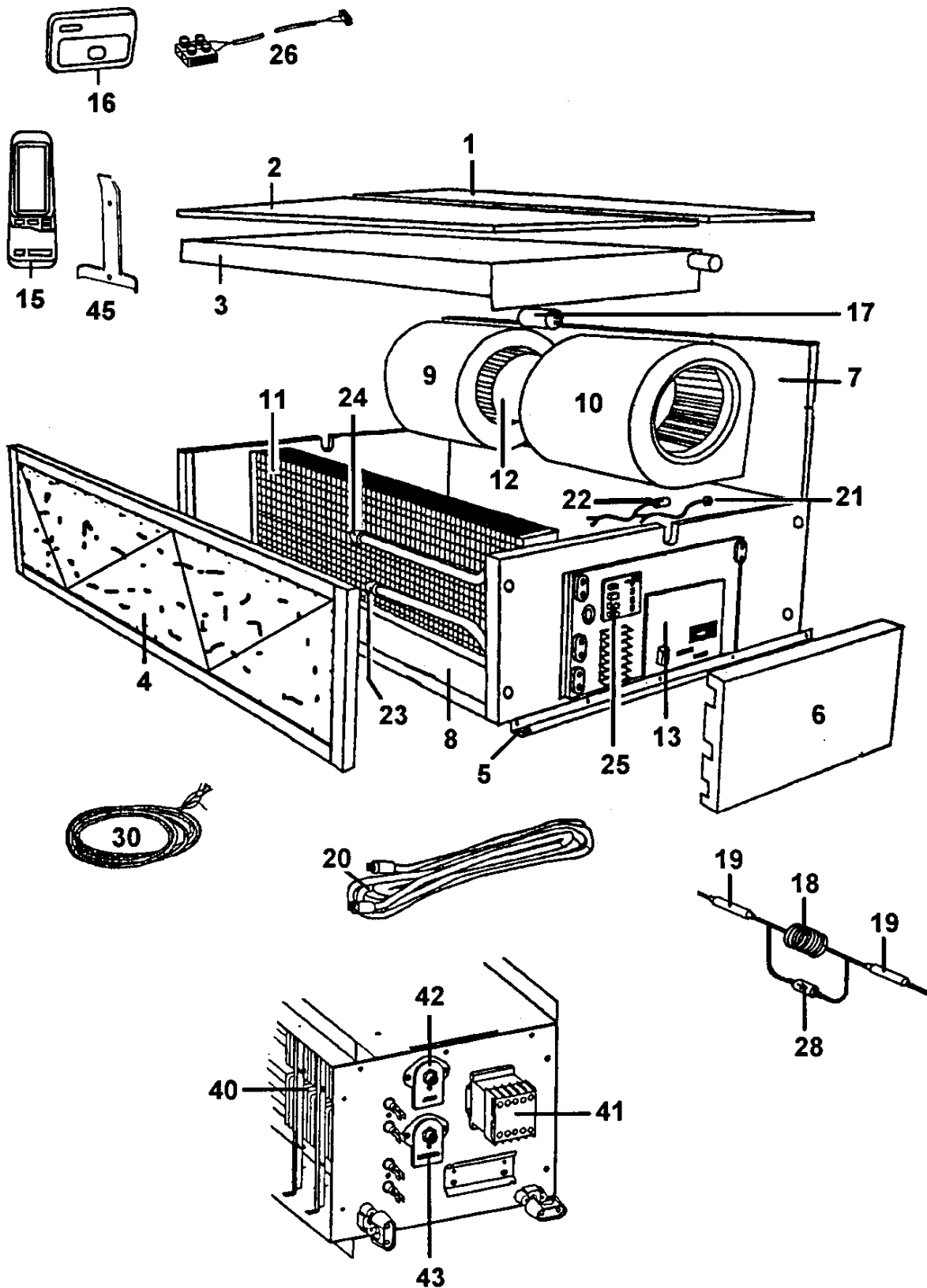
CD 17 / 22 / 26 / 35 / 43 / 50

Code Produit 7SP032012A → 7SP032017A



La carte électronique 234181 est épuisée.
Prendre le Kit 684750 (carte 10V4).

The electronic card 234181 isn't available.
Take the Kit 684750 (electronic card 10V4).



Modifiée le 03/10/1999

TH 2624 C

Brand :Airwell Model : CD 43/10V3

Product Number : 7SP032016A

Internal number : 611

Version : Cool/Heat pump 230/1/50

Spare parts list used

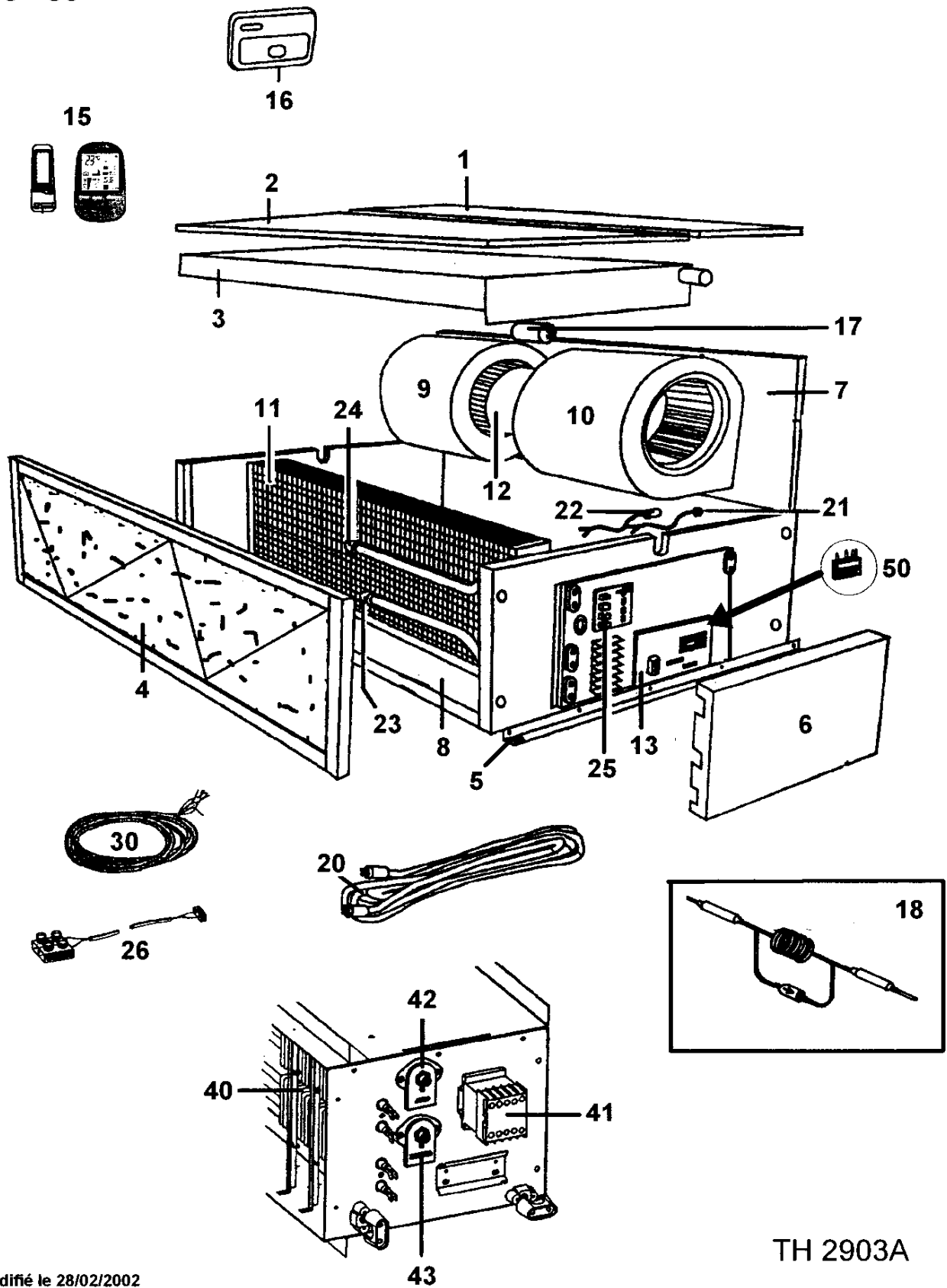
Loc	Spare parts code	Replaced by	Qty	Description	Observation
4	221539		1	Air filter	
21	232299		1	Battery probe length 1,40m (black)	
1	684405		1	Bottom front panel	
2	684172		1	Bottom rear panel	
20	391703		1	Cable 7m/2 male contacts	
17	233053		1	Capacitor 10uF/400V	for motor 261518
18	684955		1	Capillary assembly	
41	230319		1	Contacteur LC1 D0910M7	case of E.H. 400V/6000W
41	230285		1	Contacteur LC1 D1210 M7	case of E.H. 400V/8100W
16	234163		1	Display box	
13	234181		1	Electronic card 10V3	DEPLETED - use 684750
11	421354+22	421354+22L	1	Evaporator	
3	405301+22		1	Evaporator tray assembly	
12	261518		1	Fan motor Elco MT1518	
7	684810		1	Fan motor unit with plate	
23	225268		1	Flare union assembly M 3/8" w/o valve	
24	225231		1	Flare union M 3/4"	
.	236320		1	Fuse 3.15AL 250V 5X20	for electronic card
13	234249		1	General control card 10V5 ER OST	
40	291237		3	Heating element 2000W - lg 1050mm	case of E.H. 400V/6000W
40	291235		3	Heating element 2700W - lg 1050mm	case of E.H. 400V/8100W
5	320656+21		2	Hook bar	
15	900087	900145	1	Infrared Remote control (RC4) Airwell	
.	684750		1	Kit of repl. card 10V3 by 10V4 (with plugs)	replace electronic card 231181
.	900115		1	Packaging CD43	
6	304125		1	Power unit cover	
30	391697		1	Probe connecting cable (10 m)	
25	234170		1	Relay electronic card	remove with 10V4 electronic version
22	232301		1	Room temperature probe length 650mm (red)	
42	232314		1	Safety thermostat auto Ranco LO7-P1019	electrical heating case
43	232313		1	Safety thermostat manual Ranco LM7-P6591	electrical heating case
8	684410		1	Top panel	
9	402015		2	Turbine/scroll assembly	right-hand and left-hand

UNITES INTERIEURES GAINABLES

CD 17 / 22 / 26 / 35 / 43 / 50

KGZ 125R IN

SDX 43 - 50



Modifié le 28/02/2002

TH 2903A

Brand :Airwell Model : CD 50/10V3

Product Number : 7SP032017A

Internal number : 612

Version : Cool/Heat pump 230/1/50

Spare parts list used

Loc	Spare parts code	Replaced by	Qty	Description	Observation
4	221540		1	Air filter	
21	232299		1	Battery probe length 1,40m (black)	
1	684406		1	Bottom front panel	
2	684173		1	Bottom rear panel	
20	391703		1	Cable 7m/2 male contacts	
17	233053		1	Capacitor 10uF/400V	for motor 261518
18	684956		1	Capillary assembly	
41	230319		1	Contacteur LC1 D0910M7	case of E.H. 400V/6000W
41	230285		1	Contacteur LC1 D1210 M7	case of E.H. 400V/8100W
16	234163		1	Display box	
13	234181		1	Electronic card 10V3	DEPLETED - use 684750
11	421354+24		1	Evaporator	
3	405301+24		1	Evaporator tray assembly	
12	261518		1	Fan motor Elco MT1518	
7	684811		1	Fan motor unit with plate	
23	225241		1	Flare union assembly M 1/2" w/o valve	
24	225231		1	Flare union M 3/4"	
.	236320		1	Fuse 3.15AL 250V 5X20	for electronic card
13	234249		1	General control card 10V5 ER OST	
40	291238		3	Heating element 2000W - lg 1250mm	case of E.H. 400V/6000W
40	291236		3	Heating element 2700W - lg 1250mm	case of E.H. 400V/8100W
5	320656+21		2	Hook bar	
15	900087	900145	1	Infrared Remote control (RC4) Airwell	
.	684750		1	Kit of repl. card 10V3 by 10V4 (with plugs)	replace electronic card 231181
.	900116		1	Packaging CD50	
6	304125		1	Power unit cover	
30	391697		1	Probe connecting cable (10 m)	
25	234170		1	Relay electronic card	remove with 10V4 electronic version
22	232301		1	Room temperature probe length 650mm (red)	
42	232314		1	Safety thermostat auto Ranco LO7-P1019	electrical heating case
43	232313		1	Safety thermostat manual Ranco LM7-P6591	electrical heating case
8	684411		1	Top panel	
9	402015		2	Turbine/scroll assembly	right-hand and left-hand

Brand :Airwell Model : CD 50/10V4

Product Number : 7SP032017A

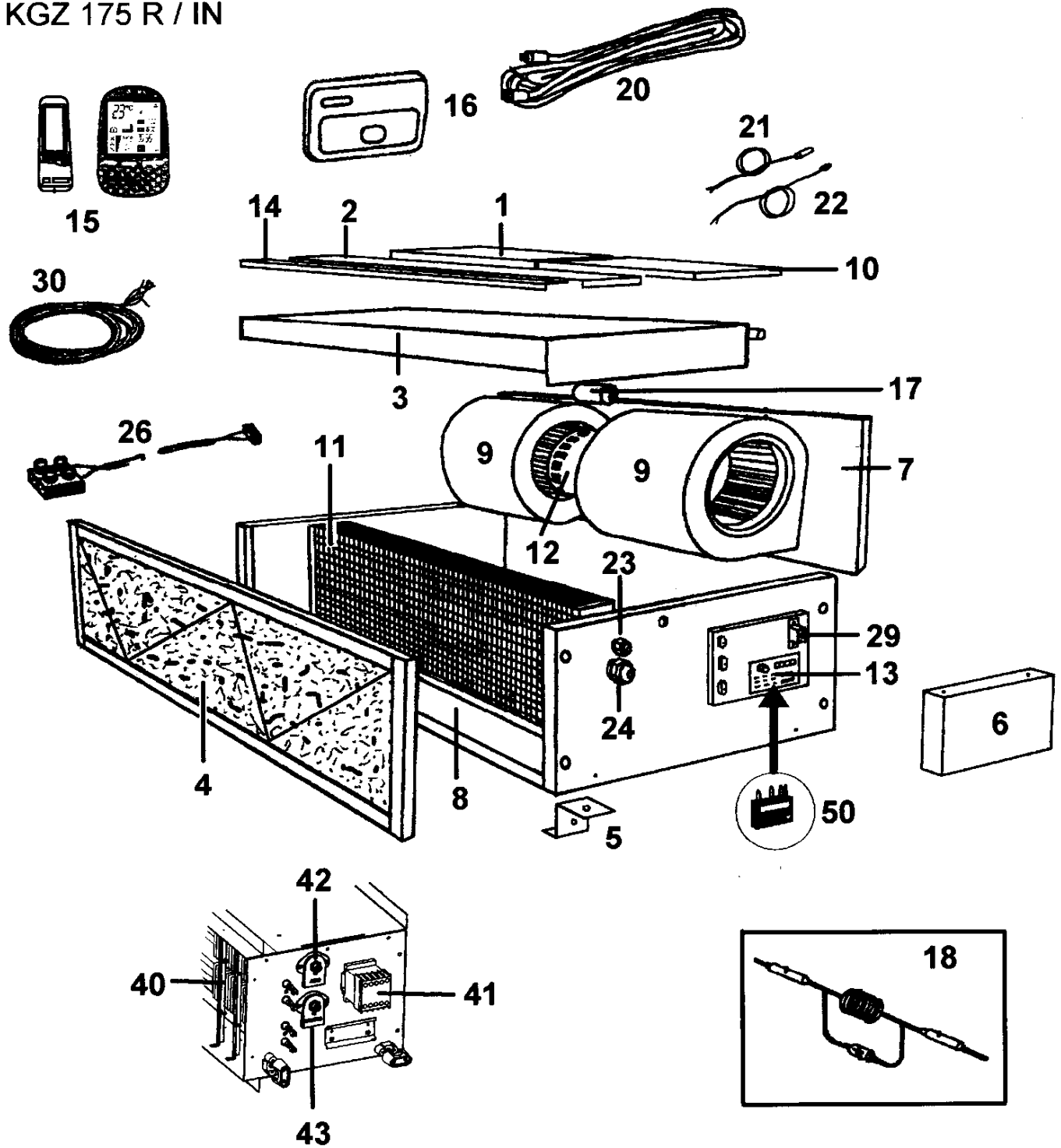
Internal number : 1696

Version : Cool/Heat pump 230/1/50

Spare parts list used

Loc	Spare parts code	Replaced by	Qty	Description	Observation
4	221540		1	Air filter	
21	232299		1	Battery probe length 1,40m (black)	
1	684406		1	Bottom front panel	
2	684173		1	Bottom rear panel	
20	391703		1	Cable 7m/2 male contacts	
17	233053		1	Capacitor 10uF/400V	for motor
18	684956		1	Capillary assembly	
41	230319		1	Contacteur LC1 D0910M7	case of E.H. 400V/6000W
41	230285		1	Contacteur LC1 D1210 M7	case of E.H. 400V/8100W
16	234163		1	Display box	
11	421354+24		1	Evaporator	
3	405301+24		1	Evaporator tray assembly	
12	261518		1	Fan motor Elco MT1518	
7	684811		1	Fan motor unit with plate	
23	225241		1	Flare union assembly M 1/2" w/o valve	
24	225231		1	Flare union M 3/4"	
.	236320		1	Fuse 3.15AL 250V 5X20	for electronic card
13	234249		1	General control card 10V5 ER OST	
40	291238		3	Heating element 2000W - lg 1250mm	case of E.H. 400V/6000W
40	291236		3	Heating element 2700W - lg 1250mm	case of E.H. 400V/8100W
5	320656+21		2	Hook bar	
15	900087	900145	1	Infrared Remote control (RC4) Airwell	
26	391712		1	Out probe adapter cable	
.	900116		1	Packaging CD50	
50	243192		1	Plug ELDRC (heat pump)	
50	243191		1	Plug ELDST (cooling only)	
6	304125		1	Power unit cover	
30	391697		1	Probe connecting cable (10 m)	
22	232301		1	Room temperature probe length 650mm (red)	
42	232314		1	Safety thermostat auto Ranco LO7-P1019	electrical heating case
43	232313		1	Safety thermostat manual Ranco LM7-P6591	electrical heating case
8	684411		1	Top panel	
9	402015		2	Turbine/scroll assembly	right-hand and left-hand

UNITE INTERIEURE GAINABLE CD 60
 KGZ 175 R / IN



Modifiée le 29/01/2003

TH2681C

Brand :Airwell Model : CD 60/10V4

Product Number : 7SP032032A

Internal number : 1068

Version : Cool/Heat pump 230/1/50

Spare parts list used

Loc	Spare parts code	Replaced by	Qty	Description	Observation
20	391703		1	Cable 7m/2 broches mâles	
26	391712		1	Cable adaptation sonde out	
30	391697		1	Cable de liaison sonde (10 m)	
6	306288		1	Capot boîtier électrique	
13	234249		1	Carte électronique Gen Cont 10V5 ER OST	
17	233039		1	Condensateur 17.5uF/400V	pour moteur de ventilation
41	230280		1	Contacteur LC1 D1801M7	cas chauff. électr. 12kW
41	230351		1	Contacteur LC1 K1210 U7	cas chauff. électr. 8100W
40	291236		3	Élément chauffant 2700W - lg 1250mm	cas chauff. électr. 8100W
40	291259		3	Élément chauffant 4000W - lg 1250mm	cas chauff. électr. 12kW
.	900117		1	Emballage CD60	
3	405531		1	Ens. bac évaporateur	
18	684957		1	Ens. capillaire	
11	9421374LC		1	Ens. évaporateur+tubing	
23	225240		1	Ens. raccord flare M 5/8" sans vanne	
24	225242		1	Ens. raccord flare M 7/8" sans vanne	
9	402018		2	Ens. volute/turbine	
4	221546		1	Filtre à air	
.	236368		1	Fusible 5A T5x20	pour carte électronique
7	558058=01+26		1	Groupe moto-ventilateur avec plateau	
12	261546		1	Moteur ventil Elco 3 vitesses	
8	307989		1	Panneau de dessus	
1	405533		1	Panneau dessous avant droit	
10	405532		1	Panneau dessous avant gauche	
2	307992		1	Panneau dessous bac	
14	307991		1	Panneau filtre	
5	323393		4	Patte d' accrochage	
50	243192		1	Plug ELDRC (reversible)	
50	243193		1	Plug ELDRH (froid seul+CE)	cas chauff. électr. 8100W et 12kW
50	243194		1	Plug ELDSH (reversible+CE) ou 435727	cas chauff. électr. 8100W et 12kW
50	243191		1	Plug ELDST (froid seul)	
16	234163		1	Récepteur infrarouge	
29	230181		1	Relais Finder 12A 250V type 56.32	
21	232299		1	Sonde batterie lg 1400mm (noire)	

Brand :Airwell Model : CD 60/10V4

Product Number : 7SP032032A

Internal number : 1068

Version : Cool/Heat pump 230/1/50

Spare parts list used

Loc	Spare parts code	Replaced by	Qty	Description	Observation
22	232283		1	Sonde de reprise d' air lg 1400mm	
15	900087	900145	1	Télécdé IR (RC4) Airwell	
42	232314		1	Thermostat auto Ranco LO7-P1019	cas chauff. électr. 8100W et 12kW
43	232244		1	Thermostat de sécurité manuel	cas chauff. électr. 8100W et 12kW